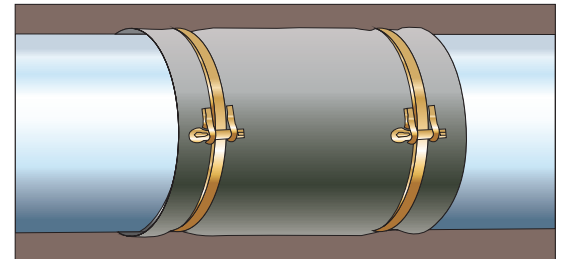
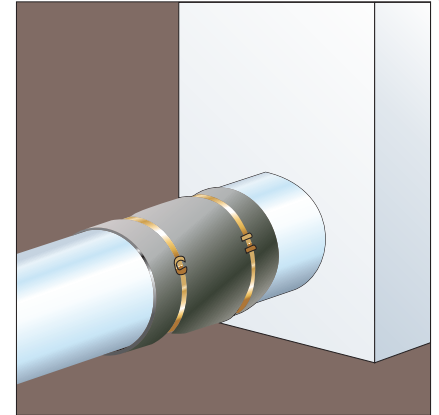


Introduction

In order to isolate vibrations caused by air handling units, fans or other equipment connected to air ducts, it is highly recommended to install a flexible connector joint between the outlet of these devices and the airduct. It is necessary to select an airtight and flexible cloth, with good weathering qualities and one which will withstand the temperatures inside and outside the duct. Duct being generally made of steel, the main difficulty is to fasten the cloth to it in order to obtain a perfectly airtight joint.

Easyflex circular straight sleeve connectors are perfect for this job.

The circular straight sleeves can be produced for any diameter, They are made from Polyurethane cloth strips (M0 and 400°C/2h classified) 160 mm wide and the ends are sewn with a strong, high-temperature thread. Each sleeve is supplied with two suitable clamps. Assembly takes place by sliding the sleeve over the external diameter of the circular duct and its matching part and clamping each end. This is simple and efficient and affords perfect airtightness.



Fabric

- Glassfiber coated with polyurethane on both sides
- Fire resistance : M0 and 400°C/2h
- Sewn with high temperature thread
- Other fabrics available on request

Fastening bands

- Galvanised steel strip
- Thickness : 0,4 mm
- Width : 8 mm
- Length of the steel bands : (perimeter of the sleeve x2) + 5cm
- Security clamp with " Cotter Pin Fastening "

Packaging

- Individual bags with one circular straight sewn fabric sleeve finished to required size and two fastening clamps with fasteners
- Sold in cartons of 10 individual bags (5 bags for diameters over 900 mm)

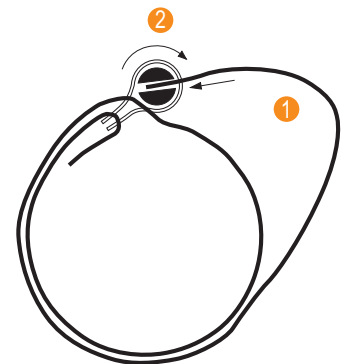
The nominal diameter correspond to standard nominal duct diameters.

The actual diameter of the circular straight sleeve is slightly larger to enable the sleeve to be slid on the ducts.



| Nominal diameter | Width | Code | Description |
|------------------|--------|--------|-----------------|
| 125 mm | 160 mm | 121125 | MAN160 - Ø 125 |
| 160 mm | 160 mm | 121160 | MAN160 - Ø 160 |
| 200 mm | 160 mm | 121200 | MAN160 - Ø 200 |
| 250 mm | 160 mm | 121250 | MAN160 - Ø 250 |
| 280 mm | 160 mm | 121280 | MAN160 - Ø 280 |
| 315 mm | 160 mm | 121315 | MAN160 - Ø 315 |
| 355 mm | 160 mm | 121355 | MAN160 - Ø 355 |
| 400 mm | 160 mm | 121400 | MAN160 - Ø 400 |
| 450 mm | 160 mm | 121450 | MAN160 - Ø 450 |
| 500 mm | 160 mm | 121500 | MAN160 - Ø 500 |
| 560 mm | 160 mm | 121560 | MAN160 - Ø 560 |
| 630 mm | 160 mm | 121630 | MAN160 - Ø 630 |
| 710 mm | 160 mm | 121710 | MAN160 - Ø 710 |
| 800 mm | 160 mm | 121800 | MAN160 - Ø 800 |
| 900 mm | 160 mm | 121900 | MAN160 - Ø 900 |
| 1000 mm | 160 mm | 122000 | MAN160 - Ø 1000 |
| 1120 mm | 160 mm | 122120 | MAN160 - Ø 1120 |
| 1250 mm | 160 mm | 122250 | MAN160 - Ø 1250 |

Method of application



- Roll the steelband twice passing underneath the axle and leave 3 to 4 cm slack
- Insert the steelband in the axle and turn it clockwise until the slack has disappeared

Other sizes on request.

Other fabrics on request.



Fabric only

Easyflex can also supply its range of fabrics only pre-cut to any desired width.

