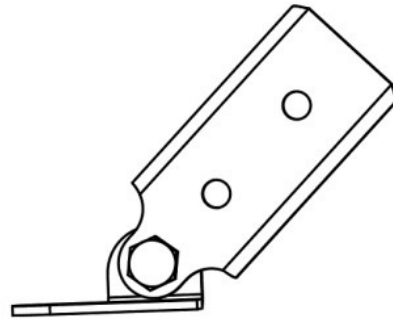


DOUBLE HOLE SEISMIC CONNECTOR

**Function:**

It is suitable for connecting and installing seismic support of all kinds of pipelines and connecting channel steel diagonal brace.

Material:

Carbon Steel

Finish:

Electro-galvanized

Item	Size	Maximum Rec. Load		
		(lbs)	(kg)	(N)
L1701	M12	1886	849	8300