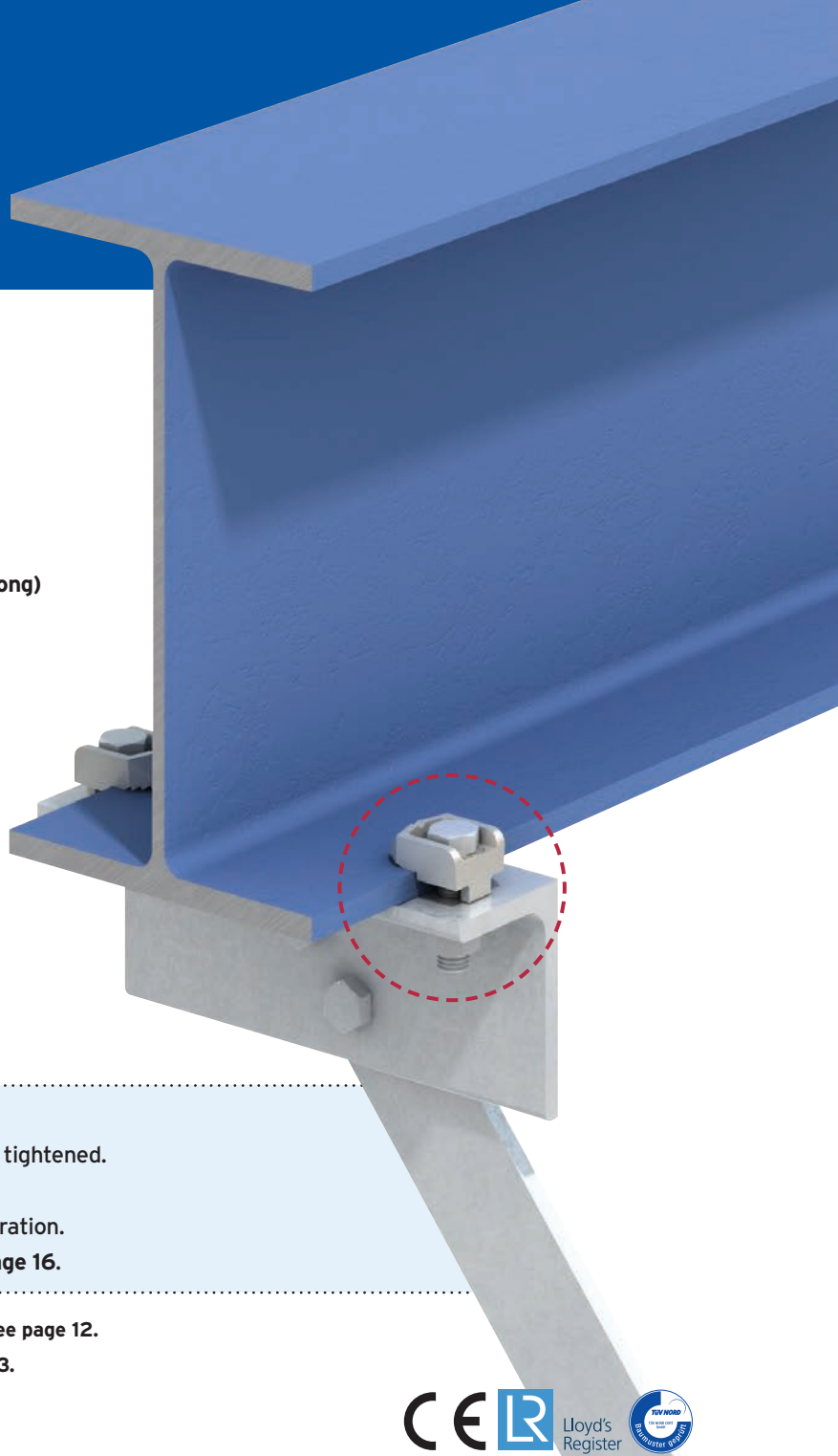
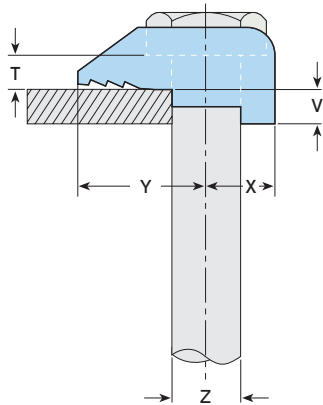
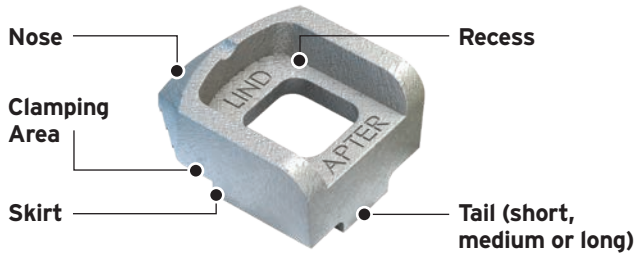


# Type A

Lindapter's standard clamp is used to resist moderate tensile loading. Can also be used with Type B in a Girder Clamp configuration.



- CE Mark, Lloyd's Register and TÜV approved.
- Recessed top holds the bolt captive while the nut is tightened.
- Ideal for parallel flanges.
- Supports up to 78.8kN tensile in a four-bolt configuration.
- For higher loads the Type AF should be used, see [page 16](#).

- Packings are available to increase the clamping range, see [page 12](#).
- Location plate / end plate details can be found on [page 13](#).

Material: Malleable iron, zinc plated or hot dip galvanised.



Product Code	Bolt 8.8 Z	Safe Working Loads (FOS 5:1)			Tightening Torque*	Y mm	X mm	Dimensions			T mm	Width mm
		Tensile / 1 Bolt kN	Slip / 2 Bolts kN					Tail Length V				
							short mm	medium mm	long mm			
A08	M8	1.0	-	6	16	8	-	4	-	4	20	
A10	M10	1.5	-	20	20	11	4	5	7	5	26	
A12	M12	5.8	0.9	69	26	13	4.5	6	9.5	6	29	
A16	M16	8.5	1.7	147	30	16	5.5	8	11	8	36	
A20	M20	14.7	3.0	285	36	19	7	10	12.5	10	46	
A24	M24	19.7	4.5	491	48	25	9	12	16	13	55	

\* Torque figures based on bolts / setscrews in an unlubricated condition. For further information on lubricated fasteners see [page 72](#).

For Characteristic Resistances when designing a connection to Eurocode 3, refer to DoP No.003 on Lindapter's website or request the DoP Brochure >>

